

Introduction

Congratulations on your purchase of this API 500-series compatible SSL E Series EQ module.

This module has been specifically designed to operate in an API 500-series rack such as the API lunchbox® or equivalent. In common with many such modules, the nominal input/output level is +4dBu.

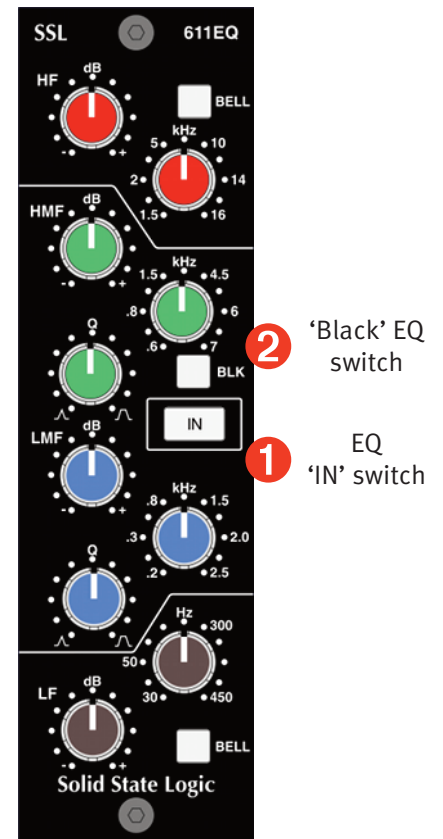
Your new E Series EQ module is a re-implementation of two of the classic SSL EQ circuits, dating back to the original E Series consoles. The module defaults to the original 'Brown Knob' circuit that was standard on all early production E Series consoles but can be switched to emulate the later 'Black Knob' circuit.

Operation

Please refer to the illustration opposite.

The IN button **1** switches the entire module in and out of circuit.

The BLK button **2** switches the module from the default 'Brown Knob' EQ to 'Black Knob' EQ.



'Brown Knob' EQ

With the BLK button out, the two parametric mid-band sections feature SSL's classic logarithmically symmetric design ensuring that the ± 3 dB up/down points retain the same musical interval from the centre frequency regardless of frequency and amplitude settings. The two shelving sections are traditional 6dB/octave designs with an option for a fixed Q parametric response (by way of the BELL button).

The '02' EQ, to give it its correct name, was used on countless recordings and mixes in the early eighties.

'Black Knob' EQ

In the mid-eighties a new '242' EQ circuit was developed in conjunction with the legendary George Martin for the first SSL console to be installed in AIR studios. The 'Black Knob' EQ, as it became known, featured enhanced cut and boost ranges (± 18 dB instead of ± 15 dB) together with a different control law for tighter control of low frequencies.

It is this design which is retained today as the 'E Series' EQ option of the X-Rack XR-425 E-Signature EQ module and also features on the AWS 924, AWS 948 and Duality consoles.